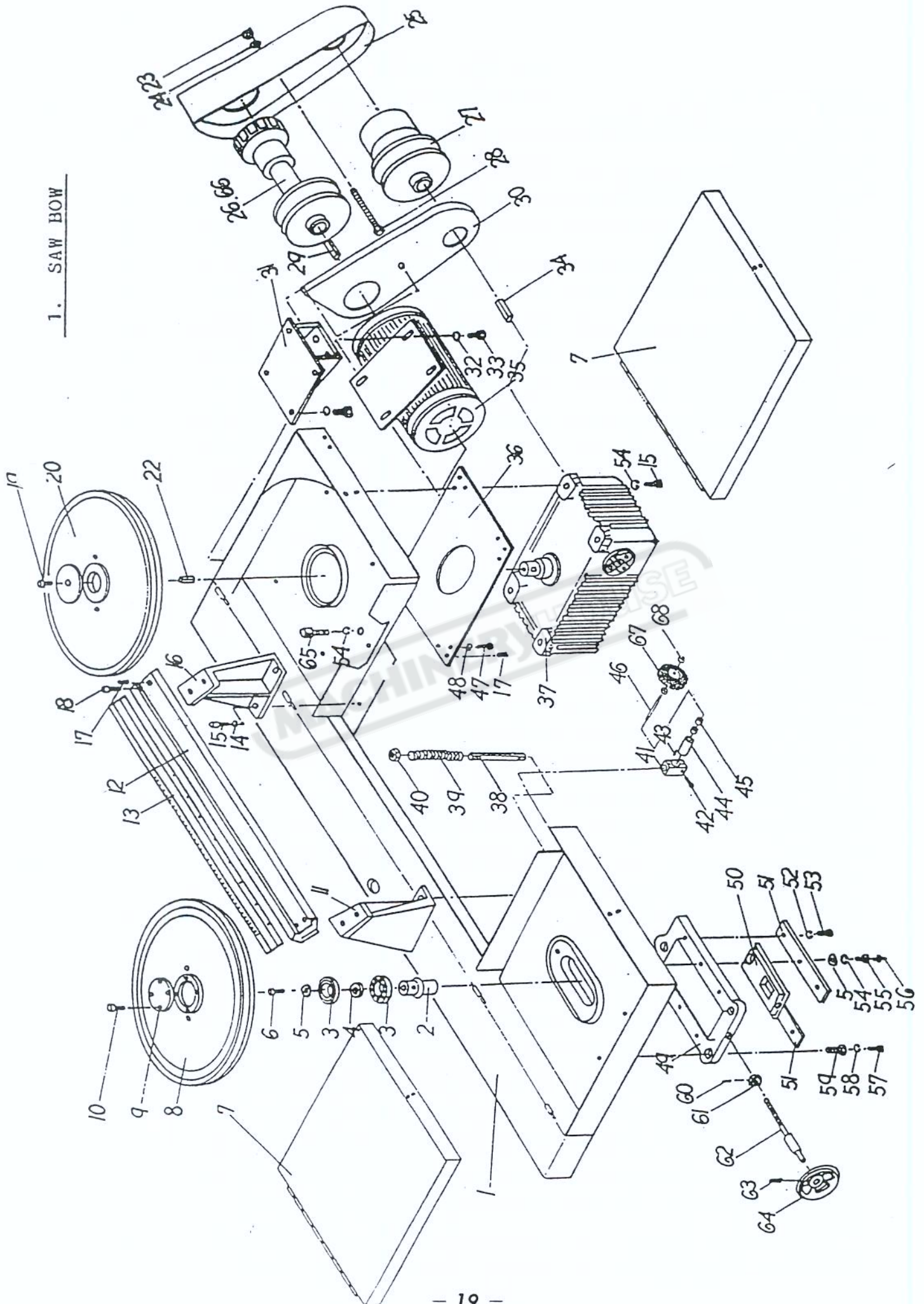


1. SAW BOW



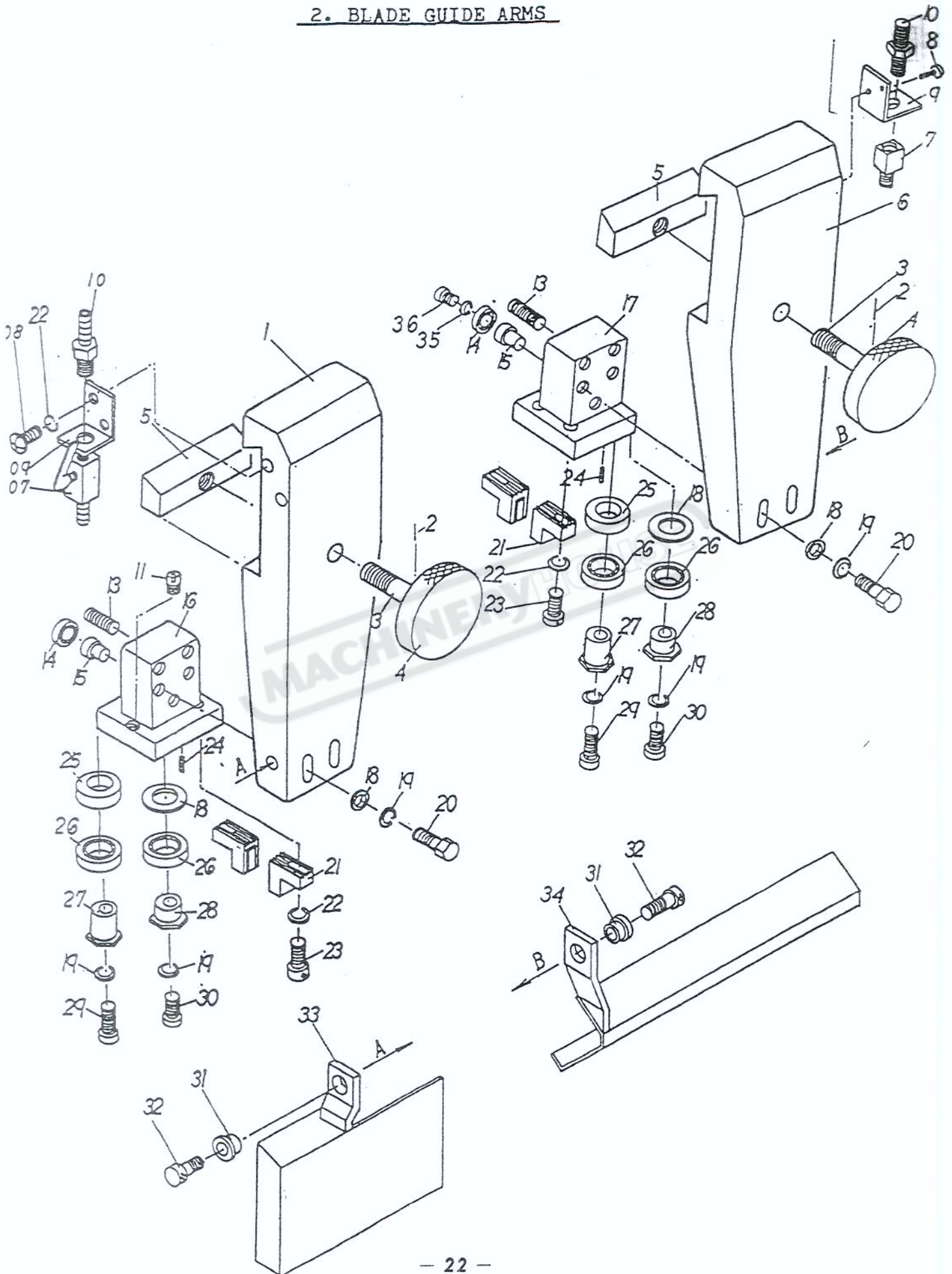
## 1. SAW BOW (A)

Index No.	Parts Name	Type	Q'ty	Note
1-1	Saw bow		1	
1-2	Idle wheel shaft		1	
1-3	Bearing	6205Z	2	
1-4	Bearing washer		1	
1-5	Washer	1/2	1	
1-6	Bolt		1	
1-7	Wheel cover		2	
1-8	Idle wheel		1	
1-9	Washer (A)		1	
1-10	Screw	1/4-20UNCx1/4	4	
1-11	Bracket (left)		1	
1-12	Dovetail guide		1	
1-13	Guage plate (ruler)		1	
1-14	Spring washer	1/2	4	
1-15	Bolt	1/2-W12x1 1/4	8	
1-16	Bracket (right)		1	
1-17	Set screw	5/16-18UNCx3/4	8	
1-18	Screw	3/8-16UNCx1 1/4	4	
1-19	Screw	1/4-20UNCx1/4	1	
1-20	Drive wheel		1	
1-21	Washer (B)		1	
1-22	Key	10x8x20	1	
1-23	Nut		1	
1-24	Spring washer	5/16	1	
1-25	Pulley cover (A)		1	
1-26	Non-step variator (A)		1	
1-27	Non-step variator (B)		1	
1-28	Lead screw		1	
1-29	Key	7x7x40	1	
1-30	Pulley cover (B)		1	
1-31	Motor mounting plate		1	
1-32	Spring washer	5/16	4	
1-33	Screw	5/16-18UNCx5/8	4	
1-34	Key	7x7x25	1	
1-35	Motor	2HP	1	
1-36	Gear box plate		1	

## 1. SAW BOW (B)

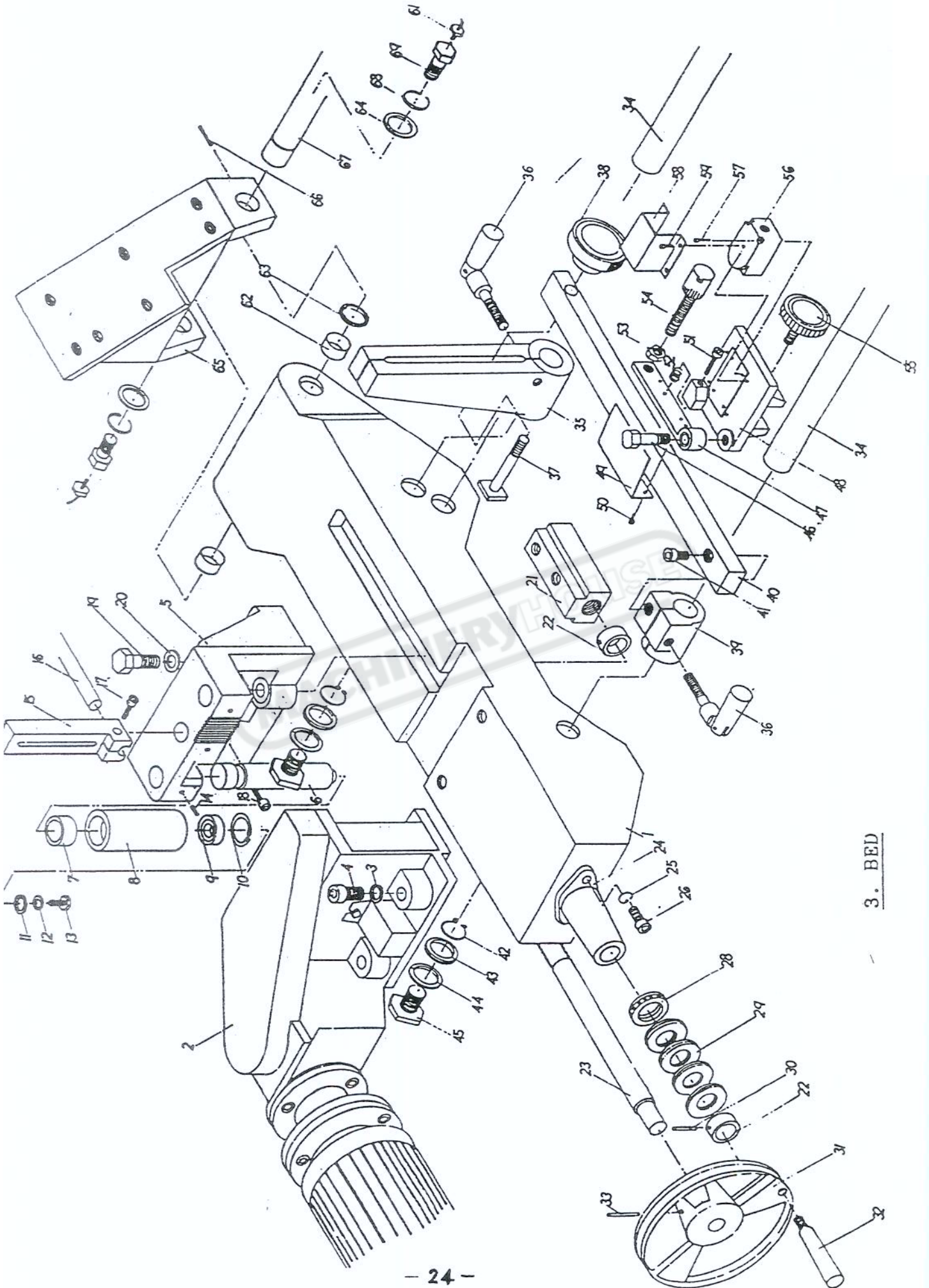
Index No.	Parts Name	Type	Q'ty	Note
1-37	gear box		1	
1-38	stud		1	
1-39	spring		1	
1-40	nut	1/2W-12	1	
1-41	adapter		1	
1-42	screw	1/4-20UNCx18	1	
1-43	set screw	1/4-20UNCx10	1	
1-44	bushing		1	
1-45	bearing	HK0810	2	
1-46	brush shaft		1	
1-47	screw	3/8-16UNCx1	1	
1-48	spring washer	3/8	1	
1-49	tension plate		1	
1-50	adjusting slide		1	
1-51	guide plate		1	
1-52	spring washer	1/4	6	
1-53	screw	1/4-20UNCx1	6	
1-54	spring washer	1/2	6	
1-55	bolt		1	
1-56	nipple	1/4	1	
1-57	screw	3/8-16UNCx2	3	
1-58	spring washer	3/8	3	
1-59	adjusting bolt		3	
1-60	spring pin	∅3x1	1	
1-61	collar		1	
1-62	blade tension screw		1	
1-63	set screw	5/16-18UNCx3/4	1	
1-64	hand wheel		1	
1-65	screw	1/2-W12x1-1/2	6	
1-66	variable belt	1422V400	1	
1-67	wire brush		1	
1-68	nut	5/16-18UNC	2	

2. BLADE GUIDE ARMS



## 2. BLADE GUIDE ARMS

Index No.	Parts Name	Type	Q'ty	Note
2-1	guide arm (left)		1	
2-2	spring pin	∅3x30L (mm)	2	
2-3	bolt	1/2-20UNFx2 3/8	2	
2-4	knob		2	
2-5	clamping block		2	
2-6	guide arm (right)		1	
2-7	coolant valve		2	
2-8	screw	3/16-24UNCx3/8	4	
2-9	bracket		2	
2-10	fitting	PT 1/8"	2	
2-11	coolant nozzle	5/16"	2	
2-12	hose		2	
2-13	set screw	1/4-20UNCx1/2	6	
2-14	guide bearing	608ZZ	2	
2-15	bearing shaft		2	
2-16	guide seat (left)		1	
2-17	guide seat (right)		1	
2-18	washer	5/16	6	
2-19	spring washer	5/16	8	
2-20	screw	5/16-18UNCx11/4	4	
2-21	tungsten carbide blade guide		4	
2-22	spring washer	1/4	5	
2-23	screw	1/4-20UNCx1	4	
2-24	set screw	1/4-20UNCx1/4	2	
2-25	washer		2	
2-26	guide bearing	6202ZZ	4	
2-27	eccentric bushing(long)		2	
2-28	eccentric bushing (short)		2	
2-29	Screw	5/16-18UNCx38	2	
2-30	Screw	5/16-18UNCx25	2	
2-31	washer		2	
2-32	screw	1/4-20UNCx1/2	2	
2-33	Blade guard (L)		1	
2-34	Blade guard (R)		1	
2-35	Washer	3/16	2	
2-36	Screw	3/16-24UNC	2	



3. BED

## 3. BED (A)

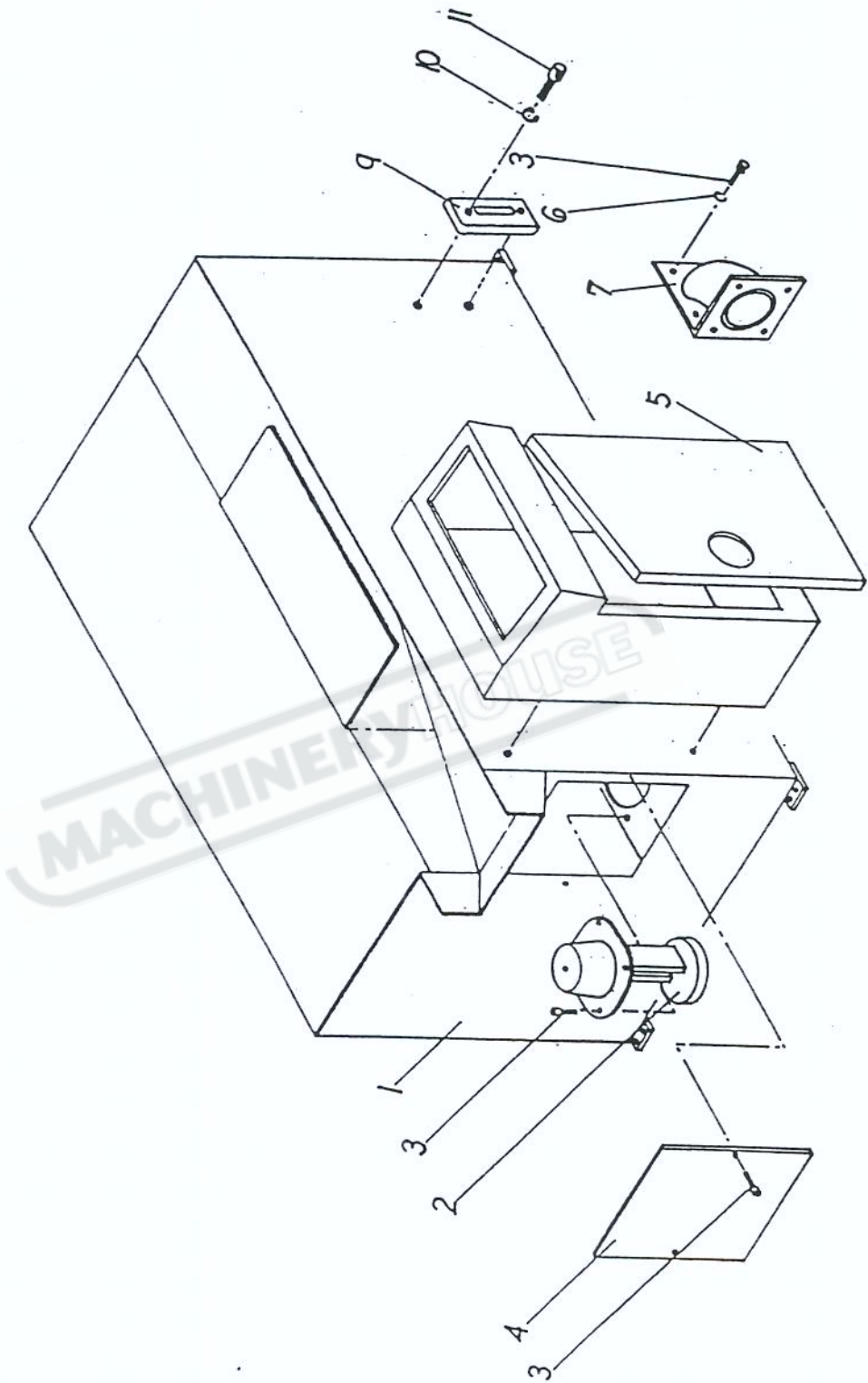
Index No.	Parts Name	Type	Q'ty	Note
3-1	bed		1	
3-2	roller feed vice		1	
3-3	spring washer	5/8	2	
3-4	bolt	5/8-11UNCx2½	2	
3-5	movable vice casting		1	
3-6	shaft		3	
3-7	needle bearing	HK2820	3	
3-8	roller		3	
3-9	bearing	6202ZZ	3	
3-10	retainer	dia. 35	3	
3-11	washer		3	
3-12	spring washer	M8	3	
3-13	screw	1/4-20UNCx1/2	3	
3-14	set screw	5/16-18UNCx3/8	3	
3-15	nesting fixture		1	
3-16	pressing bar		1	
3-17	screw	5/16-18UNCx1¼	1	
3-18	screw	5/16-18UNCx1½	1	
3-19	bolt	5/8-11UNCx2½	2	
3-20	spring washer	M16	2	
3-21	lead screw nut		1	
3-22	collar		2	
3-23	vice lead screw		1	
3-24	lead screw seat		1	
3-25	spring washer		2	
3-26	screw		2	
3-28	thrust bearing	51205	1	
3-29	disk spring	dia. 25	8	
3-30	spring pin	dia. 6	1	
3-31	handwheel		1	
3-32	handle		1	
3-33	spring pin	ø6	1	
3-34	depth bar (length bar)		2	
3-35	adapter, right		1	
3-36	fastening bolt		2	
3-37	stud		1	

## 3. BED (B)

Index No.	Parts Name	Type	Q'ty	Note
3-38	knob		1	
3-40	cross slide		1	
3-41	screw	1/2W-12x1	1	
3-42	snap ring	S-30	2	
3-43	washer		2	
3-44	spring washer		2	
3-45	bolt	1/2W-12x1"	2	
3-46	pivot bolt		1	
3-47	rocker		1	
3-48	carriage		1	
3-49	cover		1	
3-50	screw	3/16-24UNCx1/2	2	
3-51	screw	3/8-16UNCx2	1	
3-52	spring		1	
3-53	nut	7/16-20UNF	1	
3-54	micro-adjust bolt		1	
3-55	fastening bolt		1	
3-56	limit switch		2	
3-57	screw	3/16-24UNCx1 1/4	6	
3-58	cover		1	
3-59	screw	3/16-24UNCx1/2	4	
3-61	nipple	1/4	2	
3-62	needle bearing	HK2820	2	
3-63	oil seal		1	
3-64	washer	1/2	2	
3-65	saw bow bracket		1	
3-66	set screw	1/4-20UNCx 1/2	2	
3-67	pivot		1	
3-68	spring washer	1/2	2	
3-69	bolt	1/2	2	

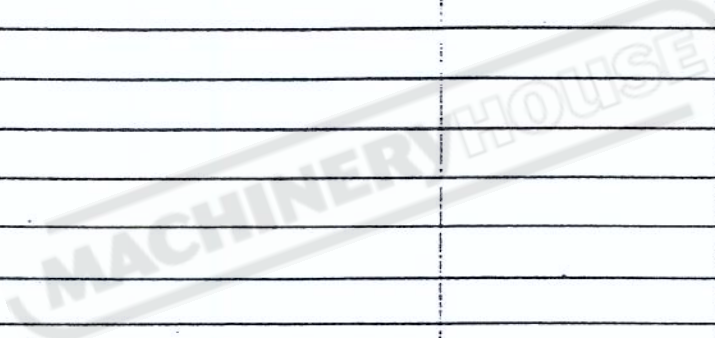


4. BASE

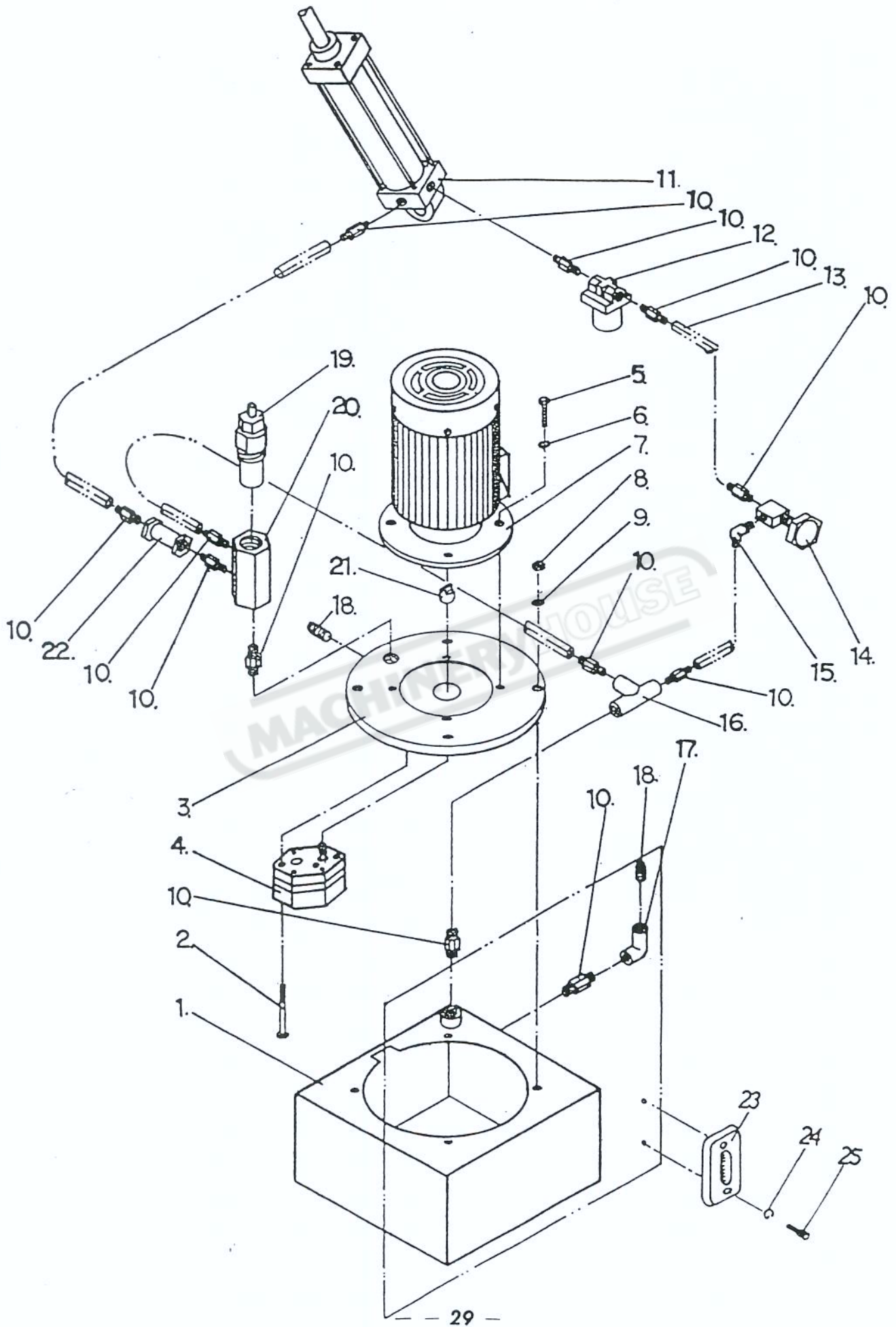


4. BASE

Index No.	Parts Name	Type	Q'ty	Note
4-1	base		1	
4-2	coolant pump	1/8HP	1	
4-3	screw	1/4-20UNCx1	18	
4-4	pump cover		1	
4-5	electric box		1	
4-6	spring washer		8	
4-7	elbow		1	
4-8	filter plate		1	
4-9	oil level guage		1	
4-10	washer	3/8	2	
4-11	screw		2	



### 5. Hydraulic System



## 5. HYDRAULIC SYSTEM

Index No.	Parts Name	Type	Q'ty	Note
5-1	hydraulic oil tank		1	
5-2	screw	1/4-20UNCx1"	4	
5-3	adapter		1	
5-4	oil pump		1	
5-5	screw	5/16-18UNCx1 1/2"	4	
5-6	spring washer	5/16	4	
5-7	motor	1/4HP	1	
5-8	nut	3/8-16UNC	4	
5-9	spring washer	3/8	4	
5-10	pipe connector	1/4Tx1/4H	12	
5-11	cylinder		1	
5-12	solenoid		1	
5-13	hydraulic hose		1	
5-14	feed rate valve		1	
5-15	elbow		1	
5-16	tee		1	
5-17	elbow		1	
5-18	socket hd. plug		1	
5-19	relief valve		1	
5-20	oil distributing block		1	
5-21	coupling		1	
5-22	check valve		2	
5-23	oil level guage		1	
5-24	spring washer	3/8	2	
5-25	screw		2	